



# DVTR2800T Series

## HIGH RELIABILITY HYBRID DC-DC CONVERTERS

### DESCRIPTION

The DVTR series of high reliability DC-DC converters is operable over the full military (-55 °C to +125 °C) temperature range with no power derating. Unique to the DVTR series are robust and effective input and output filters which provide dramatically reduced input and output noise performance when compared to other manufacturers competing devices. Operating at a nominal fixed frequency of 325 kHz, per stage, these regulated, isolated units utilize a high speed magnetic feedback design and well controlled undervoltage lockout circuitry to eliminate slow start-up problems.

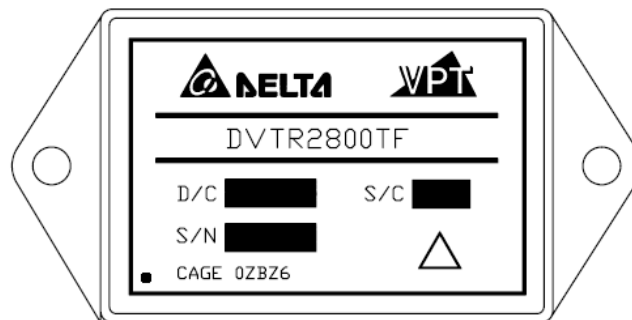
These converters are designed and manufactured in a facility qualified to ISO9001 and certified to MIL-PRF-38534 and MIL-STD-883.

This product may incorporate one or more of the following U.S. patents:

- 5,784,266
- 5,790,389
- 5,963,438
- 5,999,433
- 6,005,780
- 6,084,792
- 6,118,673

### FEATURES

- High Reliability
- Very Low Output Noise
- Wide Input Voltage Range: 15 to 50 Volts per MIL-STD-704
- Up to 30 Watts Output Power
- Fault Tolerant Magnetic Feedback Circuit
- NO Use of Optoisolators
- Undervoltage Lockout
- Indefinite Short Circuit Protection
- Current Limit Protection
- Industry Standard Pinout
- High Input Transient Voltage: 80 Volts for 1 sec per MIL-STD-704A
- Precision Seam Welded or Solder Seal Hermetic Package
- High Power Density: > 28 W/in<sup>3</sup>
- Custom Versions Available
- Additional Environmental Screening Available
- Meets MIL-STD-461C and MIL-STD-461D EMC Requirements When Used With a DVMC28 EMI Filter
- Flanged and Non-flanged Versions Available.
- MIL-PRF-38534 Element Evaluated Components



**Figure 1** – DVTR2800T / DVTR2800TF DC-DC Converter  
(Exact marking may differ from that shown)

SPECIFICATIONS ( $T_{CASE} = -55^{\circ}\text{C}$  to  $+125^{\circ}\text{C}$ ,  $V_{IN} = +28\text{V} \pm 5\%$ , Full Load<sup>5</sup>, Unless Otherwise Specified)

ABSOLUTE MAXIMUM RATINGS			
Input Voltage (Continuous)	50 V <sub>DC</sub>	Junction Temperature Rise to Case	+15°C
Input Voltage (Transient, 1 second)	80 Volts	Storage Temperature	-65°C to +150°C
Output Power	30 Watts	Lead Solder Temperature (10 seconds)	270°C
Power Dissipation (Full Load, $T_{CASE} = +125^{\circ}\text{C}$ )	10 Watts	Weight (Maximum) (Un-Flanged / Flanged)	(54 / 58) Grams

Parameter	Conditions	DVTR28512T			DVTR28515T			Units	
		Min	Typ	Max	Min	Typ	Max		
<b>STATIC</b>									
INPUT Voltage	Continuous	15	28	50	15	28	50	V	
	Transient, 1 sec <sup>4</sup>	-	-	80	-	-	80	V	
Current	Inhibited	-	2	5	-	2	5	mA	
	No Load	-	20	60	-	20	60	mA	
Ripple Current	Full Load <sup>5</sup> , 20Hz to 10MHz	-	15	50	-	15	50	mA <sub>p-p</sub>	
Inhibit Pin Input <sup>4</sup>		0	-	1.5	0	-	1.5	V	
Inhibit Pin Open Circuit Voltage <sup>4</sup>		13	15	17	13	15	17	V	
UVLO Turn On		10.5	-	14.5	10.5	-	14.5	V	
UVLO Turn Off <sup>4</sup>		10.0	-	14.5	10.0	-	14.5	V	
OUTPUT Voltage	V <sub>MAIN</sub>	$T_{CASE} = 25^{\circ}\text{C}$	4.95	5.0	5.05	4.95	5.0	5.05	V
	+V <sub>AUX</sub>		11.88	12.0	12.12	14.85	15.0	15.15	V
	-V <sub>AUX</sub>		11.76	12.0	12.24	14.70	15.0	15.30	V
	V <sub>MAIN</sub>	$T_{CASE} = -55^{\circ}\text{C}$ to $+125^{\circ}\text{C}$	4.85	5.0	5.15	4.85	5.0	5.15	V
	+V <sub>AUX</sub>		11.64	12.0	12.36	14.55	15.0	15.45	V
	-V <sub>AUX</sub>		11.52	12.0	12.48	14.40	15.0	15.60	V
Power <sup>4</sup>	Total		0	-	30	0	-	30	W
	V <sub>MAIN</sub>		0	-	15	0	-	15	W
	$\pm V_{AUX}$ <sup>6</sup>		0	-	15	0	-	15	W
Current <sup>3</sup>	V <sub>MAIN</sub>		0	-	3.0	0	-	3.0	A
	$\pm V_{AUX}$	Either Output <sup>6</sup>	0	-	0.87	0	-	0.70	A
Ripple Voltage	V <sub>MAIN</sub>	Full Load <sup>5</sup> , 20Hz to 10MHz	-	15	60	-	15	60	mV <sub>p-p</sub>
	$\pm V_{AUX}$		-	40	100	-	40	100	mV <sub>p-p</sub>
Line Regulation	V <sub>MAIN</sub>	$V_{IN} = 15\text{V}$ to 50V	-	2	25	-	2	25	mV
	+V <sub>AUX</sub>		-	2	50	-	2	50	mV
	-V <sub>AUX</sub>		-	15	100	-	15	100	mV
Load Regulation	V <sub>MAIN</sub>	No Load to Full Load <sup>5,8</sup>	-	10	25	-	10	25	mV
	+V <sub>AUX</sub>		-	5	50	-	5	50	mV
	-V <sub>AUX</sub>		-	60	250	-	60	250	mV
Cross Regulation	$\pm V_{AUX}$	+V <sub>OUT</sub> = 30%, -V <sub>OUT</sub> = 70% +V <sub>OUT</sub> = 70%, -V <sub>OUT</sub> = 30%	-	200	550	-	200	550	mV
EFFICIENCY		Full Load <sup>5</sup>	74	81	-	75	82	-	%
LOAD FAULT POWER DISSIPATION		Overload <sup>4</sup>	-	-	15	-	-	15	W
		Short Circuit	-	-	10	-	-	10	W
CAPACITIVE LOAD <sup>4</sup>			-	-	500	-	-	500	$\mu\text{F}$
SWITCHING FREQUENCY			550	650	700	550	650	700	kHz
SYNCHRONIZATION FREQUENCY <sup>7</sup>			700	750	800	700	750	800	kHz
ISOLATION		500 V <sub>DC</sub> , $T_{CASE} = 25^{\circ}\text{C}$	100	-	-	100	-	-	M $\Omega$
MTBF (MIL-HDBK-217F)		AIF @ $T_C = 55^{\circ}\text{C}$	-	307	-	-	307	-	kHrs

SPECIFICATIONS ( $T_{CASE} = -55^{\circ}\text{C}$  to  $+125^{\circ}\text{C}$ ,  $V_{IN} = +28\text{V} \pm 5\%$ , Full Load<sup>5</sup>, Unless Otherwise Specified)

## ABSOLUTE MAXIMUM RATINGS

Input Voltage (Continuous)	50 V <sub>DC</sub>	Junction Temperature Rise to Case	+15°C
Input Voltage (Transient, 1 second)	80 Volts	Storage Temperature	-65°C to +150°C
Output Power	30 Watts	Lead Solder Temperature (10 seconds)	270°C
Power Dissipation (Full Load, $T_{CASE} = +125^{\circ}\text{C}$ )	10 Watts	Weight (Maximum) (Un-Flanged / Flanged)	(54 / 58) Grams

Parameter	Conditions	DVTR28512T			DVTR28515T			Units	
		Min	Typ	Max	Min	Typ	Max		
<b>DYNAMIC</b>									
Load Step Output Transient	V <sub>MAIN</sub>	Half Load to Full Load	-	250	400	-	250	400	mV <sub>PK</sub>
	±V <sub>AUX</sub>		-	340	700	-	330	700	mV <sub>PK</sub>
Load Step Recovery <sup>2</sup>	V <sub>MAIN</sub>		-	320	500	-	330	500	μSec
	±V <sub>AUX</sub>		-	310	500	-	300	500	μSec
Line Step Output Transient <sup>4</sup>	V <sub>MAIN</sub>	V <sub>IN</sub> = 16V to 40V	-	200	400	-	200	400	mV <sub>PK</sub>
	±V <sub>AUX</sub>		-	300	500	-	300	500	mV <sub>PK</sub>
Line Step Recovery <sup>2,4</sup>	V <sub>MAIN</sub>		-	200	400	-	200	400	μSec
	±V <sub>AUX</sub>		-	200	400	-	200	400	μSec
Turn On Delay			-	14	20	-	14	20	mSec
Turn On Overshoot	V <sub>MAIN</sub>	V <sub>IN</sub> = 0V to 28V	-	0	25	-	0	25	mV <sub>PK</sub>
	±V <sub>AUX</sub>		-	0	50	-	0	50	mV <sub>PK</sub>

- Notes:
1. This note intentionally not used.
  2. Time for output voltage to settle within 1% of its nominal value.
  3. Derate linearly to 0 at 135°C.
  4. Verified by qualification testing.
  5. 15W on V<sub>MAIN</sub> and 15W on ±V<sub>AUX</sub>.
  6. Up to 70% of the total auxiliary power or current can be drawn from either of the auxiliary outputs.
  7. Synchronization is TTL signal with V<sub>SYNC MAX</sub> = 6V.
  8. -V<sub>AUX</sub> is 5% Load to Full Load at -55°C.

BLOCK DIAGRAM

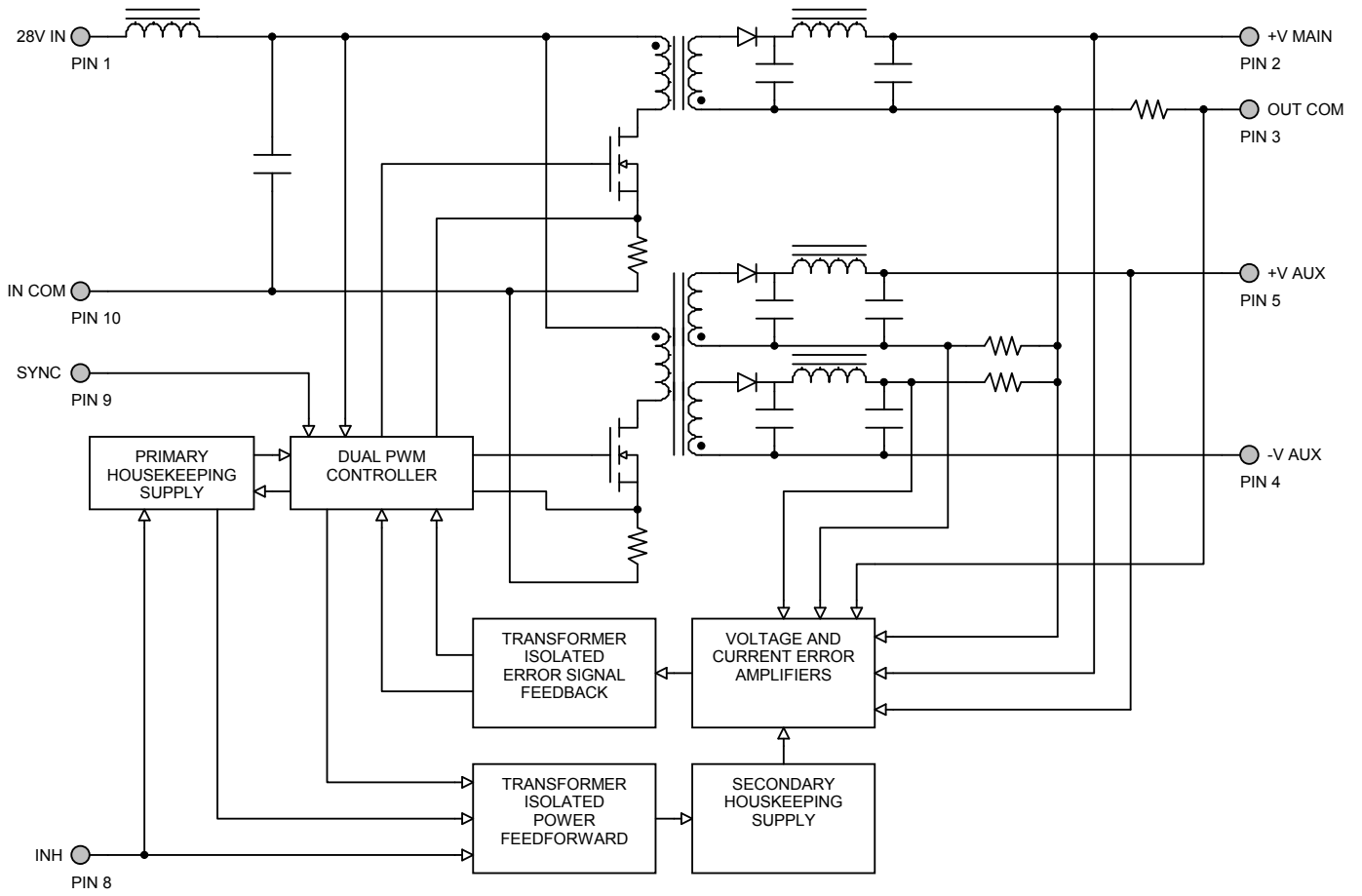


Figure 2

CONNECTION DIAGRAM

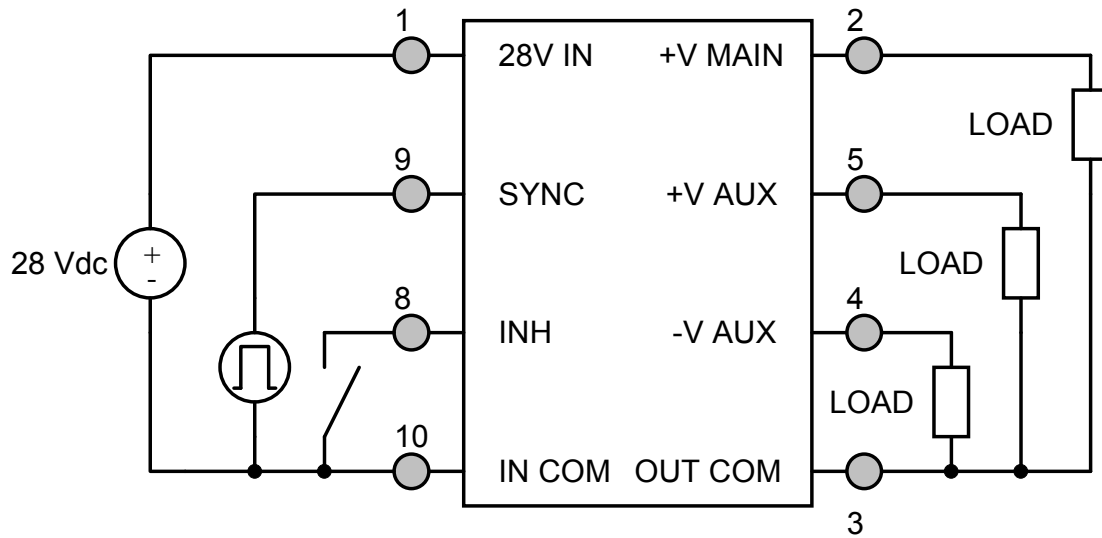


Figure 3

INHIBIT DRIVE CONNECTION DIAGRAMS

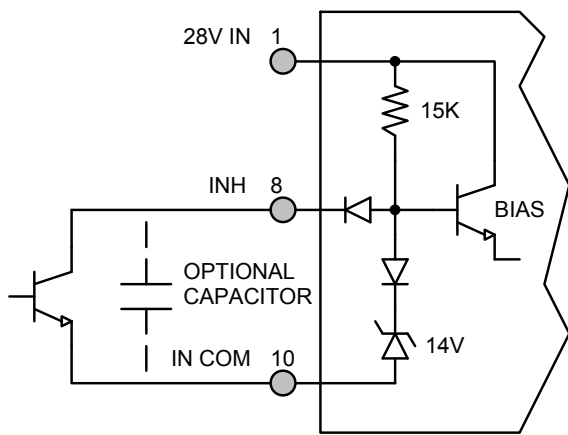


Figure 4 – Internal Inhibit Circuit and Recommended Drive  
(Shown with optional capacitor for turn-on delay)

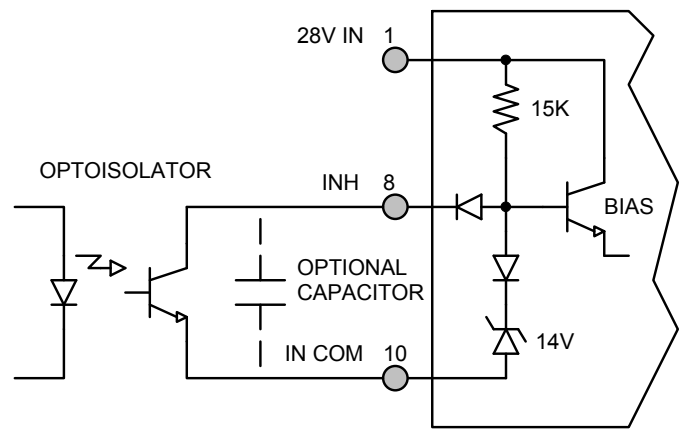


Figure 5 – Isolated Inhibit Drive  
(Shown with optional capacitor for turn-on delay)

EMI FILTER HOOKUP DIAGRAM

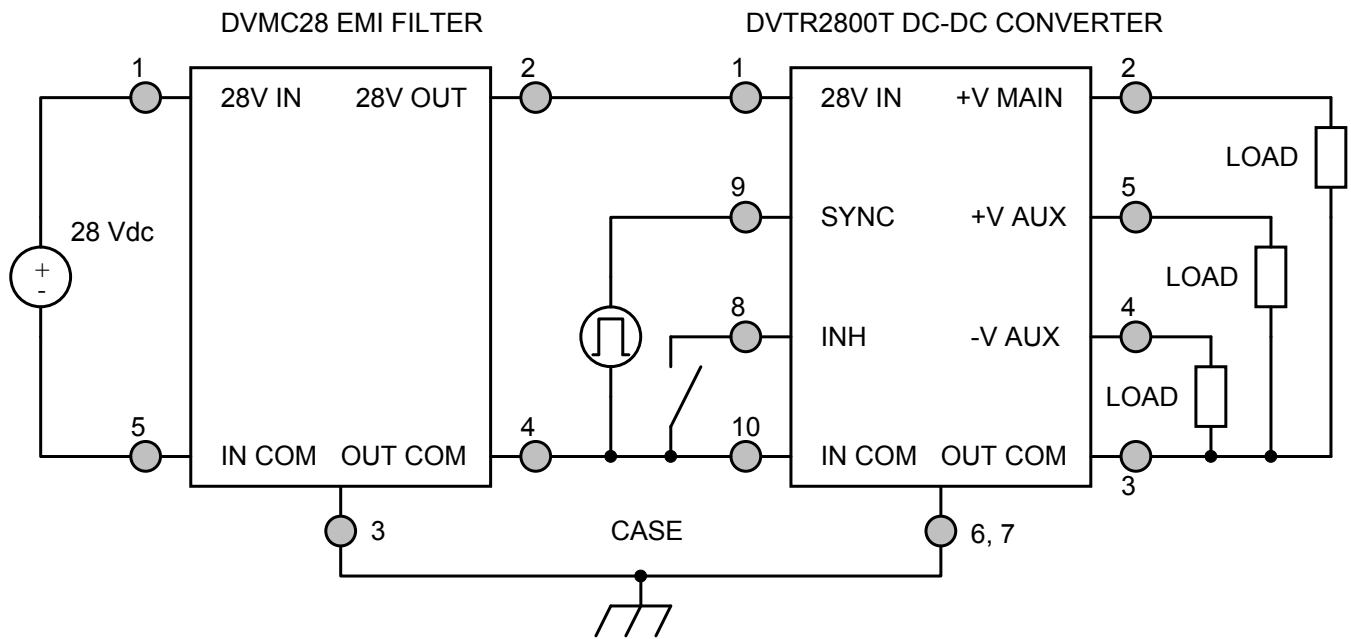
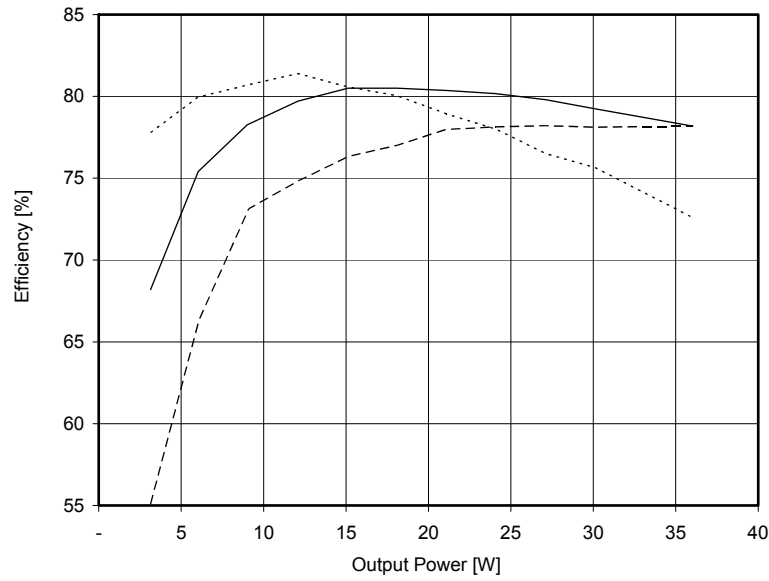
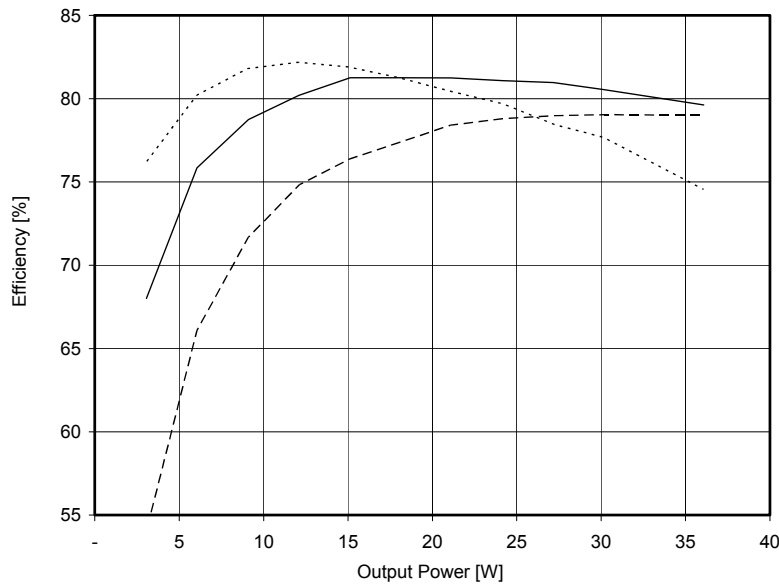


Figure 6 – Converter with EMI Filter

EFFICIENCY PERFORMANCE CURVES ( $T_{CASE} = 25^{\circ}C$ )



**Figure 7 – DVTR28512T**  
Efficiency (%) vs. Output Power (W)



**Figure 8 – DVTR28515T**  
Efficiency (%) vs. Output Power (W)

EMI PERFORMANCE CURVES

( $T_{CASE} = 25^{\circ}C$ ,  $V_{IN} = +28V \pm 5\%$ , Full Load, Unless Otherwise Specified)

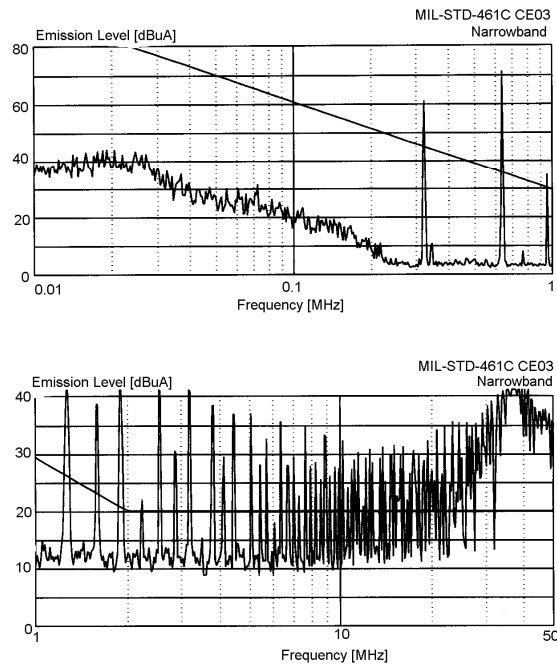


Figure 9 – DVTR2800T without EMI Filter

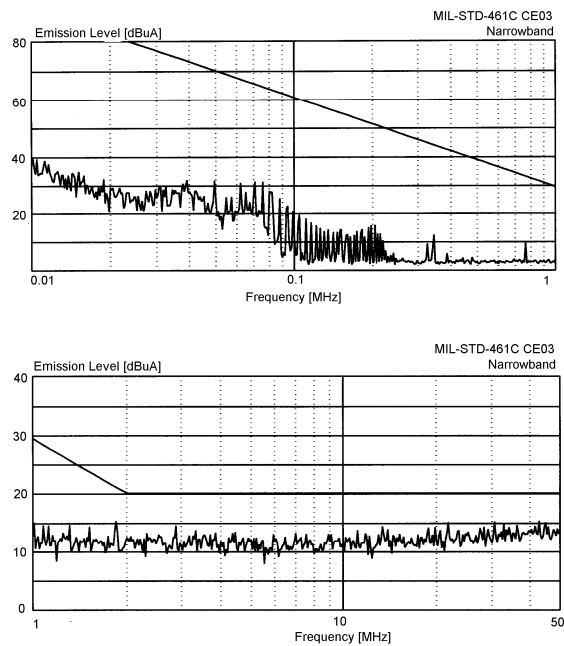
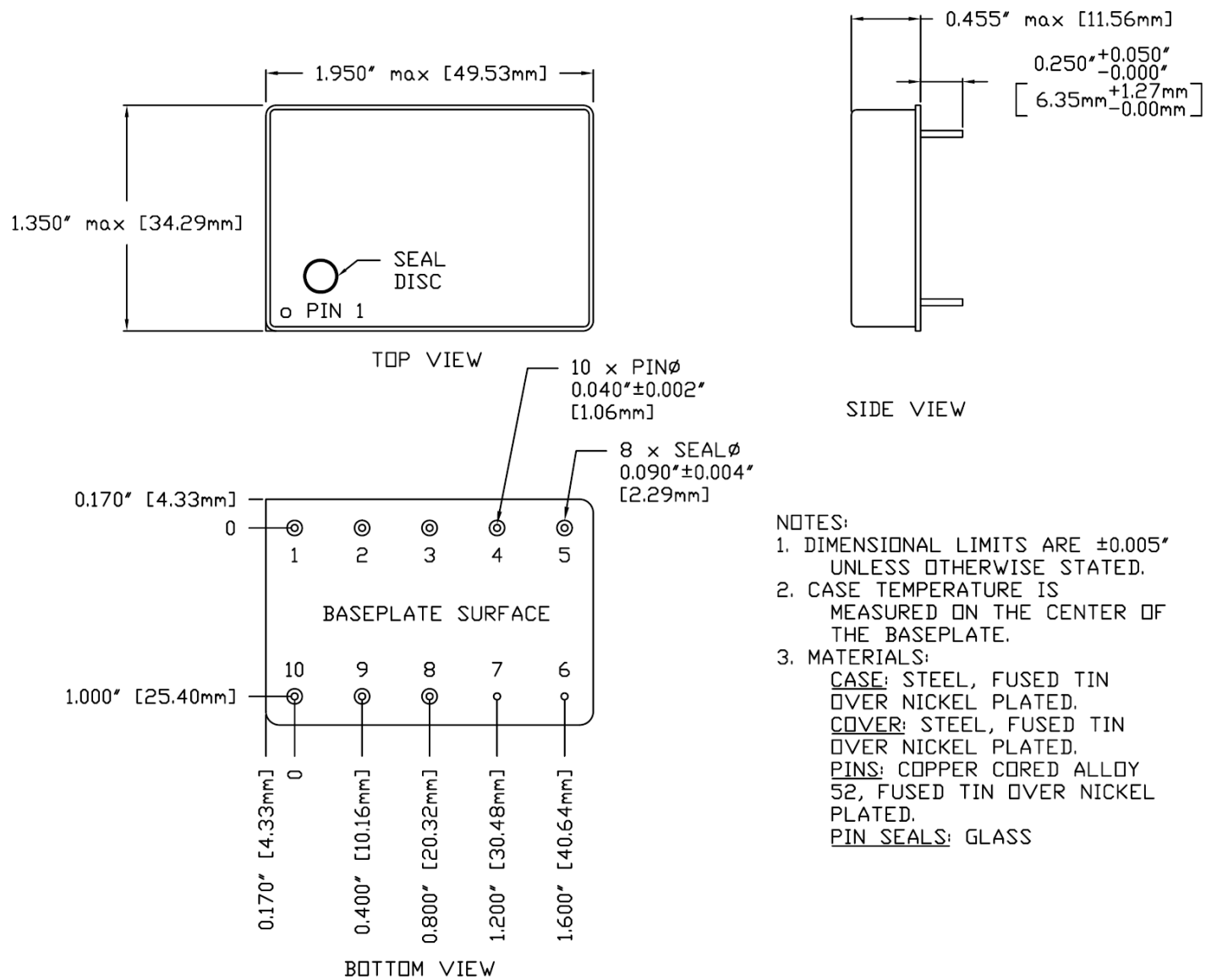


Figure 10 – DVTR2800T with EMI Filter

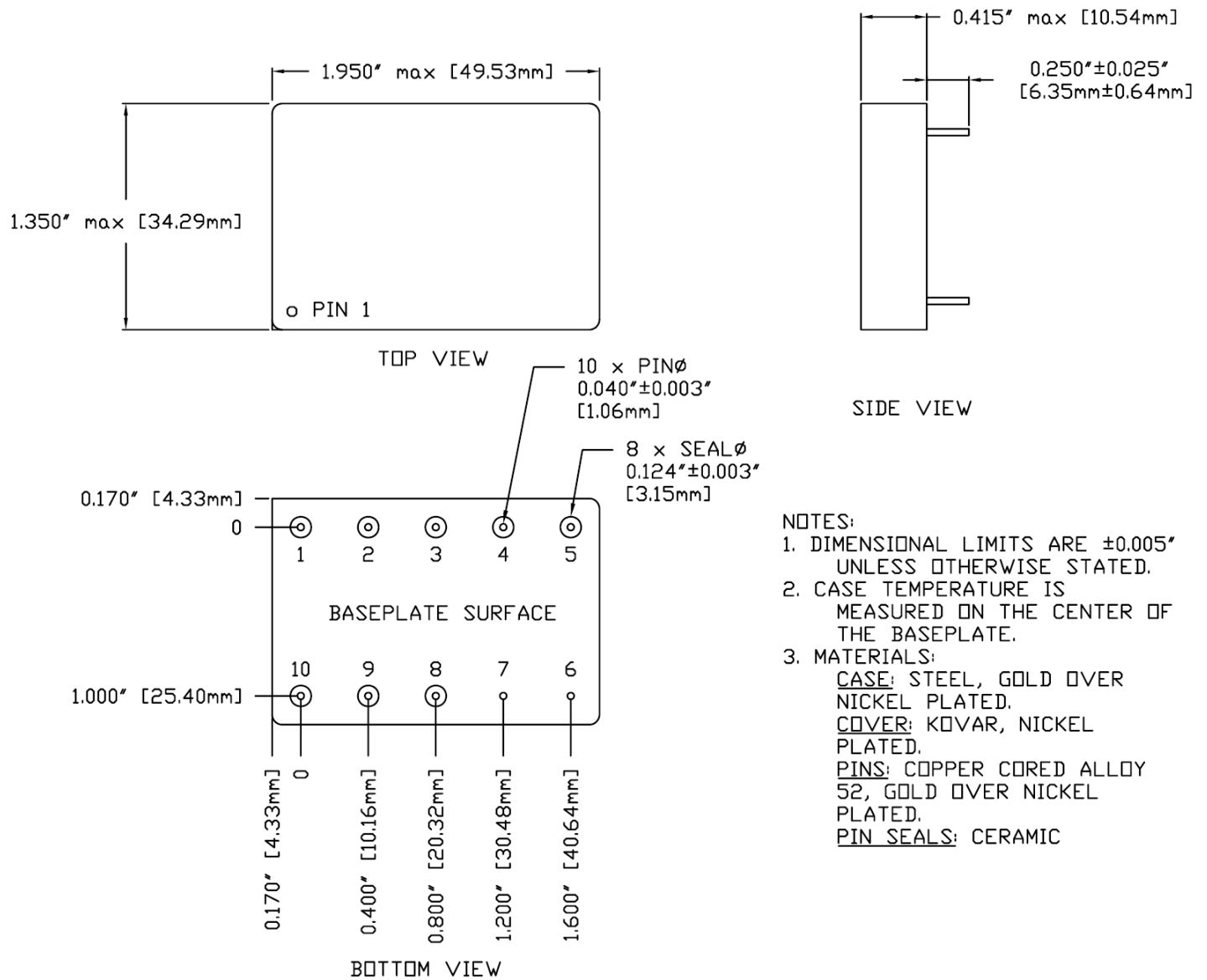
PACKAGE SPECIFICATIONS (NON-FLANGED, SOLDER SEAL)



PIN	FUNCTION	PIN	FUNCTION
1	28V IN	6	CASE
2	+V MAIN	7	CASE
3	OUT COM	8	INHIBIT
4	-V AUX	9	SYNC
5	+V AUX	10	IN COM

Figure 11 – Non-Flanged, Solder Seal Package and Pinout (Not Used for /HB or Higher Screened Products)

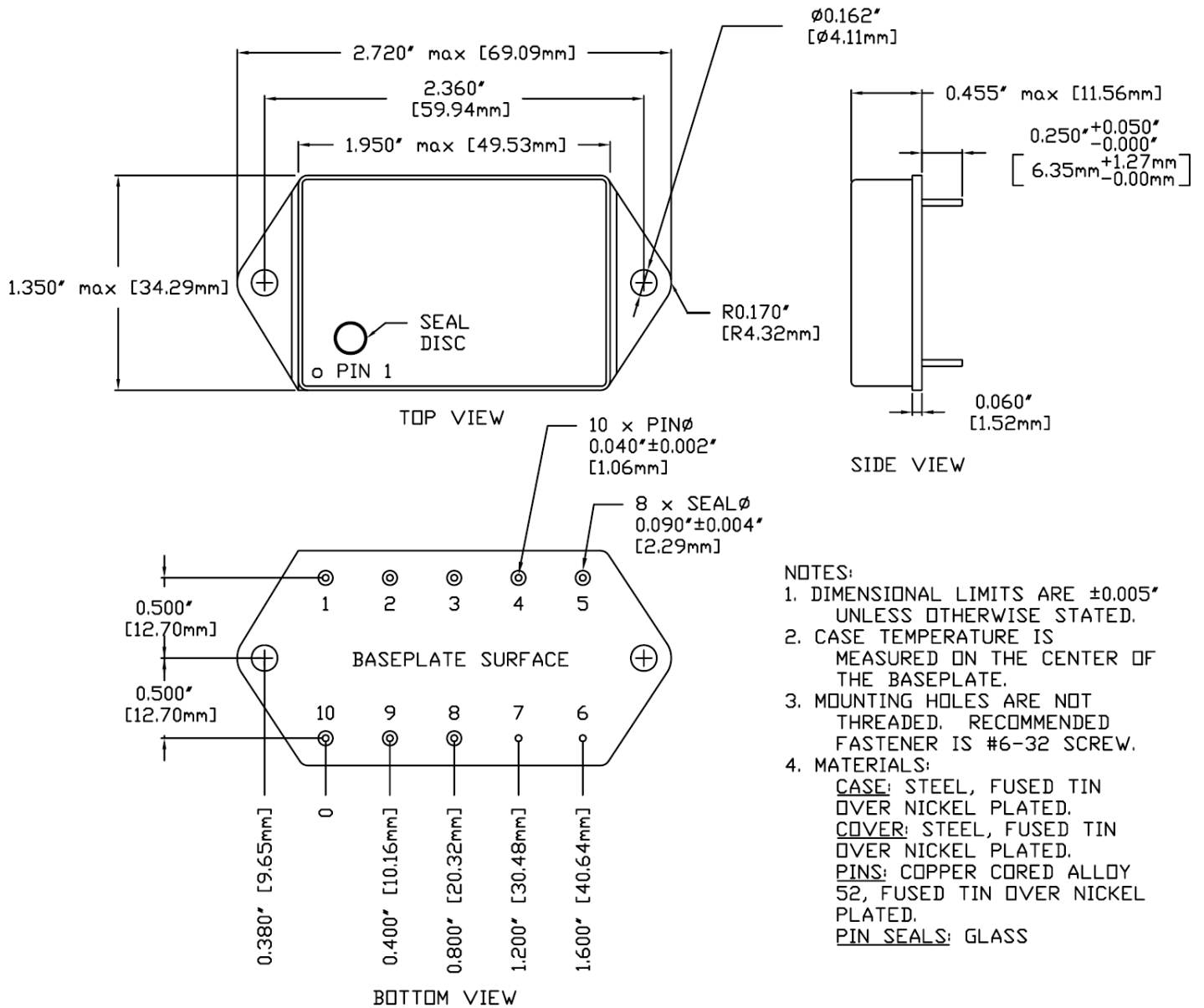
PACKAGE SPECIFICATIONS (NON-FLANGED, SEAM SEAL)



PIN	FUNCTION	PIN	FUNCTION
1	28V IN	6	CASE
2	+V MAIN	7	CASE
3	OUT COM	8	INHIBIT
4	-V AUX	9	SYNC
5	+V AUX	10	IN COM

Figure 12 – Non-Flanged, Seam Seal Package and Pinout

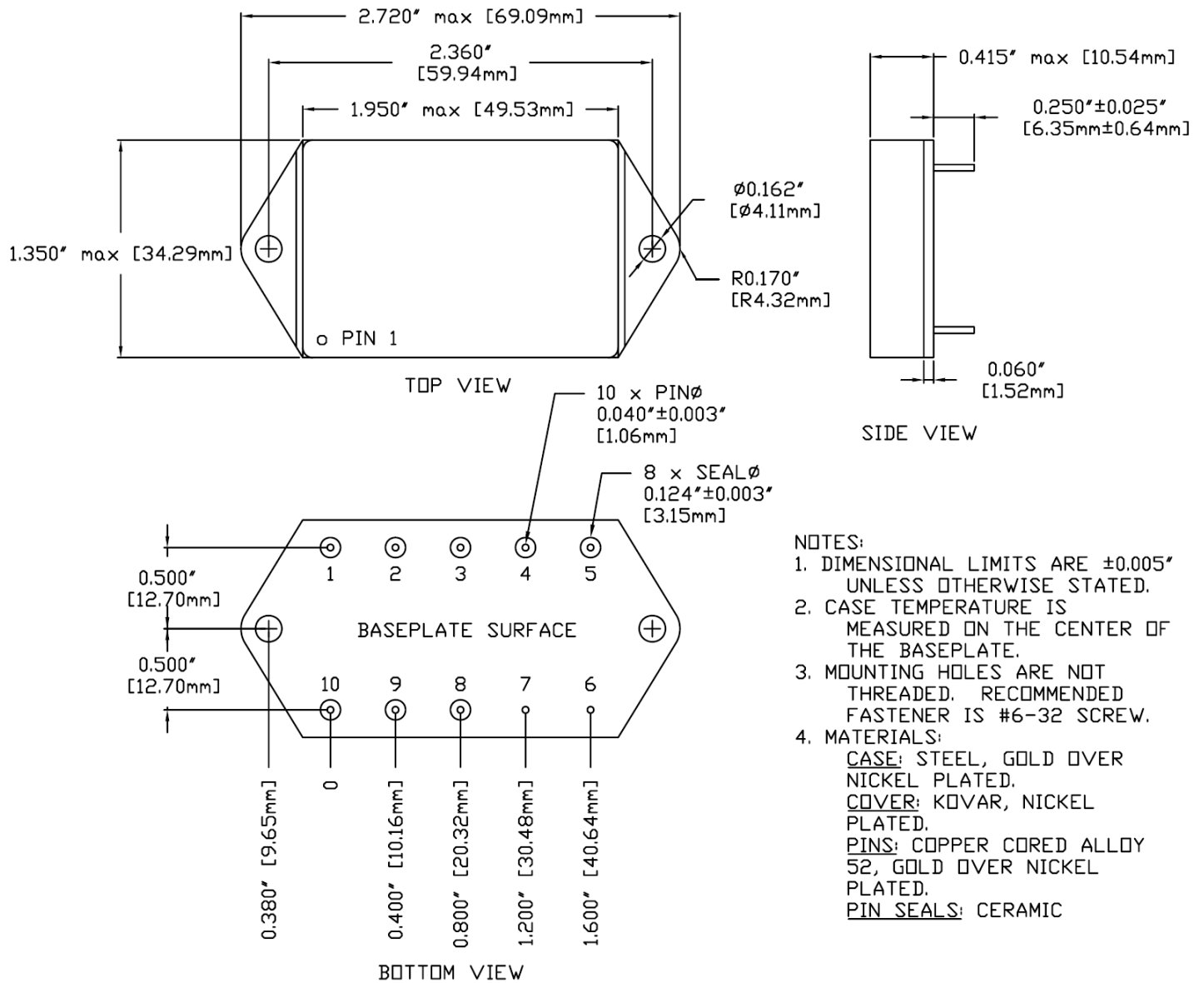
PACKAGE SPECIFICATIONS (FLANGED, SOLDER SEAL)



PIN	FUNCTION	PIN	FUNCTION
1	28V IN	6	CASE
2	+V MAIN	7	CASE
3	OUT COM	8	INHIBIT
4	-V AUX	9	SYNC
5	+V AUX	10	IN COM

Figure 13 – Flanged, Solder Seal Package and Pinout (Not Used for /HB or Higher Screened Products)

PACKAGE SPECIFICATIONS (FLANGED, SEAM SEAL)



PIN	FUNCTION	PIN	FUNCTION
1	28V IN	6	CASE
2	+V MAIN	7	CASE
3	OUT COM	8	INHIBIT
4	-V AUX	9	SYNC
5	+V AUX	10	IN COM

Figure 14 – Flanged, Seam Seal Package and Pinout

## PACKAGE PIN DESCRIPTION

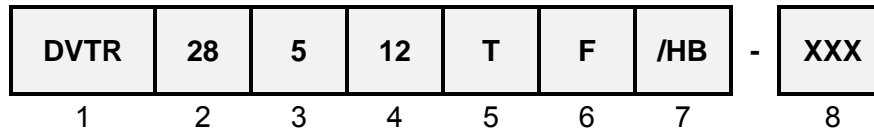
Pin	Function	Description
1	28V IN	Positive Input Voltage Connection
2	+V MAIN	Positive Main Output Voltage Connection
3	OUT COM	Output Common Connection
4	-V AUX	Negative Auxiliary Output Voltage Connection
5	+V AUX	Positive Auxiliary Output Voltage Connection
6	CASE	Case Connection
7	CASE	Case Connection
8	INHIBIT	Logic Low = Disabled Output. Connecting the inhibit pin to input common causes converter shutdown. Logic High = Enabled Output. Unconnected or open collector TTL.
9	SYNC	Synchronization Signal
10	IN COM	Input Common Connection

## ENVIRONMENTAL SCREENING (100% Tested Per MIL-STD-883 as referenced to MIL-PRF-38534)

Screening	MIL-STD-883	Standard (No Suffix)	Extended /ES	HB /HB	Class H /H	Class K /K
Non-Destructive Bond Pull	Method 2023	•	•	•	•	•
Internal Visual	Method 2017, 2032 Internal Procedure	•	•	•	•	•
Temperature Cycling	Method 1010, Condition C Method 1010, -55°C to 125°C		•	•	•	•
Constant Acceleration	Method 2001, 3000g, Y1 Direction Method 2001, 500g, Y1 Direction		•	•	•	•
PIND	Method 2020, Condition A <sup>2</sup>					•
Pre Burn-In Electrical	100% at 25°C					•
Burn-In	Method 1015, 320 hours at +125°C Method 1015, 160 hours at +125°C 96 hours at +125°C 24 hours at +125°C	•	•	•	•	•
Final Electrical	MIL-PRF-38534, Group A <sup>1</sup> 100% at 25°C	•	•	•	•	•
Hermeticity	Method 1014, Fine Leak, Condition A Method 1014, Gross Leak, Condition C Dip (1 x 10 <sup>-3</sup> )	•	•	•	•	•
Radiography	Method 2012 <sup>3</sup>					•
External Visual	Method 2009	•	•	•	•	•

- Notes:
1. 100% R&R testing at -55°C, +25°C, and +125°C with all test data included in product shipment.
  2. PIND test Certificate of Compliance included in product shipment.
  3. Radiographic test Certificate of Compliance and film(s) included in product shipment.

## ORDERING INFORMATION



(1) Product Series	(2) Nominal Input Voltage		(3) Main Output Voltage		(4) Auxiliary Output Voltages	
<b>DVTR</b>	<b>28</b>	28 Volts	<b>5</b>	+ 5 Volts	<b>12</b> <b>15</b>	± 12 Volts ± 15 Volts

(5) Number of Outputs		(6) Package Option		(7) Screening Code <sup>1,2</sup>		(8) Additional Screening Code
<b>T</b>	Triple	<b>None</b> <b>F</b>	Non-Flanged Flanged	<b>None</b> <b>/ES</b> <b>/HB</b> <b>/H</b> <b>/K</b>	Standard Extended HB Class H Class K	Contact Sales

- Notes:
1. Contact the VPT Inc. Sales Department for availability of Class H (/H) or Class K (/K) qualified products.
  2. VPT Inc. reserves the right to ship higher screened or SMD products to meet lower screened orders at our sole discretion unless specifically forbidden by customer contract.

Please contact your sales representative or the VPT Inc. Sales Department for more information concerning additional environmental screening and testing, different input voltage, output voltage, power requirement, source inspection, and/or special element evaluation for space or other higher quality applications.

## SMD (STANDARD MICROCIRCUIT DRAWING) NUMBERS

Standard Microcircuit Drawing (SMD)	DVTR2800T Series Similar Part Number
*T.B.D.	DVTR28512T/H DVTR28512TF/H
*T.B.D.	DVTR28515T/H DVTR28515TF/H

Do not use the DVTR2800T Series similar part number for SMD product acquisition. It is listed for reference only. For exact specifications for the SMD product, refer to the SMD drawing. SMD's can be downloaded from the DSCC website at <http://www.dscclia.mil/programs/smcr/>. The SMD number listed above is for MIL-PRF-38534 Class H screening, standard gold plated lead finish, and no RHA (Radiation Hardness Assurance) level. Please reference the SMD for other screening levels, lead finishes, and radiation levels. All SMD products are marked with a "Q" on the cover as specified by the QML certification mark requirement of MIL-PRF-38534.

## CONTACT INFORMATION

To request a quotation or place orders please contact your sales representative or the VPT Inc. Sales Department at:

**Phone:** (425) 353-3010  
**Fax:** (425) 353-4030  
**E-mail:** [vptsales@vpt-inc.com](mailto:vptsales@vpt-inc.com)

All information contained in this datasheet is believed to be accurate, however, no responsibility is assumed for possible errors or omissions. The products or specifications contained herein are subject to change without notice.